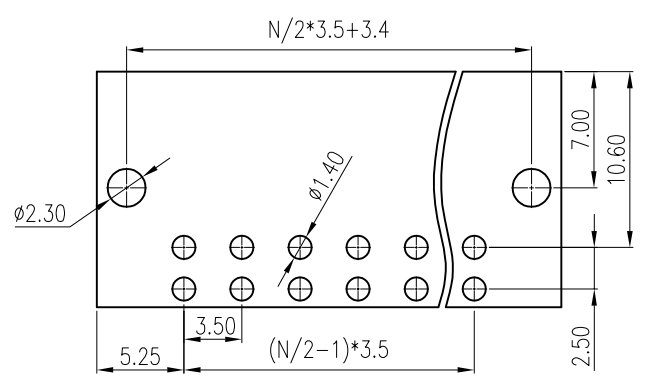
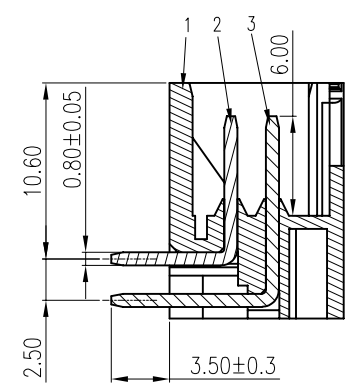
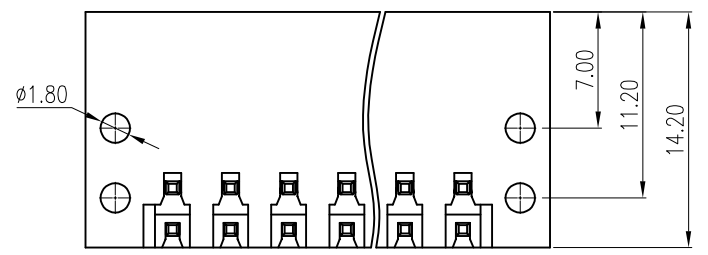
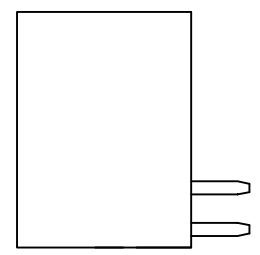
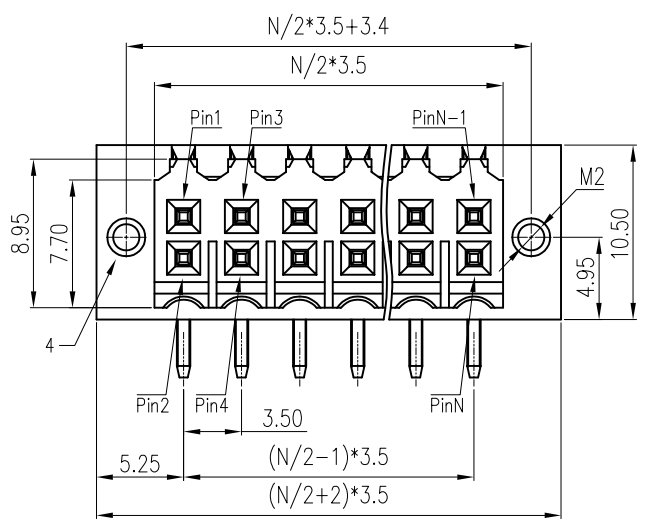


REV	DESCRIPTION	DRW.	DATE
00	初版发行	M.C.N	2022.06.30



PCB LAYOUT

Part No./料号说明:

F8NRM-3.5-XXP-X

- Poles/P数
- 04: 4Poles
 - 06: 6Poles
 - ...
 - 48: 48Poles
- Color/颜色
- 1: Brown/棕色
 - 2: Red/红色
 - 3: Orange/橙色
 - 4: Yellow/黄色
 - 5: Green/绿色
 - 6: Blue/蓝色
 - 7: Purple/紫色
 - 8: Grey/灰色
 - 9: White/白色
 - A: Black/黑色

Notes/备注:

1. Electrical properties/电气特性
UL Standard/UL标准

Use Group/应用组别	B	C	D
Rated Voltage/额定电压 (V)	150	50	/
Rated Current/额定电流 (A)	10	10	/
Withstanding voltage/工频耐电压	AC 1300V/1Min		

IEC Standard/IEC标准

Rated Voltage/额定电压 (V): 320
Rated Current/额定电流 (A): 10

Overvoltage Category/过电压类别 /Pollution Degree/污染等级	II/2	III/2	III/3
Voltage/电压 (V)	320	160	80
Rated Impulse Voltage/冲击耐电压 (KV)	2.5	2.5	2.5

2. Environmental safety/环境安全

Operating temperature/工作温度范围(°C): -40~+105
RoHS compliant/符合RoHS环保要求

ITEM	NAME OF PART	MATERIAL	NOTES
4	NUT 螺母	Copper Alloy	Ni Plated
3	PIN HEADER 焊针	Copper Alloy	Sn Plated
2	PIN HEADER 焊针	Copper Alloy	Sn Plated
1	HOUSING 主体	PA66	UL94 V-0

APP.	DATE:	PART NO:	
CHK.	DATE:	F8NRM-3.5-XXP-X	
DRW. M.C.N	DATE: 2022.06.30	DARWING TYPE: Customer Drawing	
PROJECTION		UNITS: mm	SCALE: 3:1 SHEET/OF: 1/1
		昆山艾尼维尔电子有限公司 KUN SHAN AINEWELL ELECTRONICS CO.,LTD	

Nominal dimension		Tolerances (mm)					
0	over 18	over 30	over 50	over 80	over 120	over 180	over 250
to 18	to 30	to 50	to 80	to 120	to 180	to 250	to 320
	±0.25	±0.3	±0.35	±0.5	±0.7	±0.9	±1.0